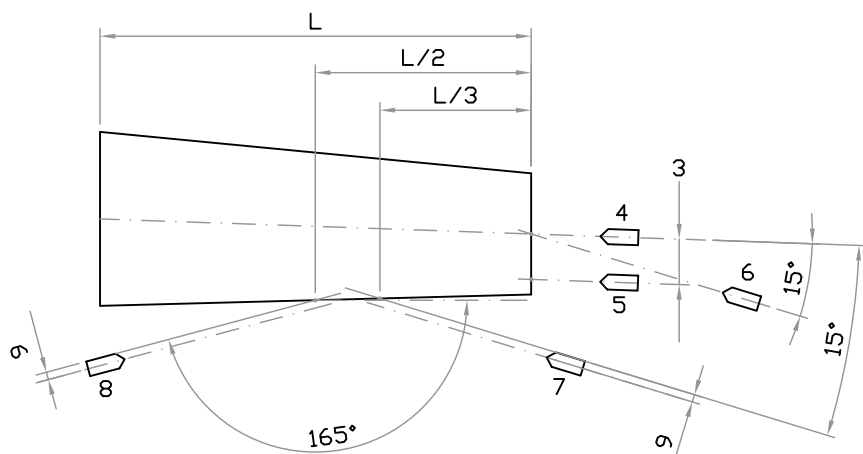


# TAU<sup>®</sup>

## IMPACT TEST ON CRASH CUSHION



### KEY

- 3 ¼ VEHICLE WIDTH OFFSET FOR TEST 2
- 4 TEST 1
- 5 TEST 2
- 6 TEST 3
- 7 TEST 4
- 8 TEST 5
- 9 ½ VEHICLE WIDTH

|          | Test       | Approach                  | Total vehicle mass | Velocity km/h | Figure Test N° | ASI Severity "B" ≤1.4 | PHD Index Values ≤20 g | THIV km/h | INDEX VALUES Km/h |      |
|----------|------------|---------------------------|--------------------|---------------|----------------|-----------------------|------------------------|-----------|-------------------|------|
|          |            |                           |                    |               |                |                       |                        |           | ≤ 33              | ≤ 44 |
| PARALLEL | TC 1.1.100 | HEAD-ON CENTRE            | 900                | 100           | 1              | 1.20                  | 15.31                  | 37.31     | INDEX VALUES Km/h | ≤ 44 |
|          | TC 1.2.100 |                           | 1300               | 100           | 1              | 0.89                  | 11.35                  | 32.36     |                   |      |
|          | TC 2.1.100 | HEAD-ON, ¼ VEHICLE OFFSET | 900                | 100           | 2              | 1.12                  | 10.01                  | 35.89     |                   |      |
|          | TC 3.2.100 | NOSE (CENTRE) AT 15°      | 1300               | 100           | 3              | 0.82                  | 13.78                  | 34.42     |                   |      |
|          | TC 4.2.100 | SIDE IMPACT AT 15°        | 1300               | 100           | 4              | 1.30                  | 16.6                   | 17.8      |                   |      |
|          | TC 5.2.100 | SIDE IMPACT AT 165°       | 1300               | 100           | 5              | 0.62                  | 11.4                   | 14.72     |                   |      |
| WIDE     | TC 4.2.80  | SIDE IMPACT AT 15°        | 1300               | 80            | 4              | 0.97                  | 14.37                  | 24.05     | INDEX VALUES Km/h | ≤ 33 |
|          | TC 4.2.100 | SIDE IMPACT AT 15°        | 1300               | 100           | 4              | 1.28                  | 19.8                   | 21.4      |                   |      |
|          | TC 1.1.100 | HEAD-ON CENTRE            | 900                | 100           | 1              | 1.03                  | 16.1                   | 38.5      |                   |      |

Note: Tested for system tipe, according to EN 1317-3, par. 5.5, table 6

ref. EN 1317-3-2000