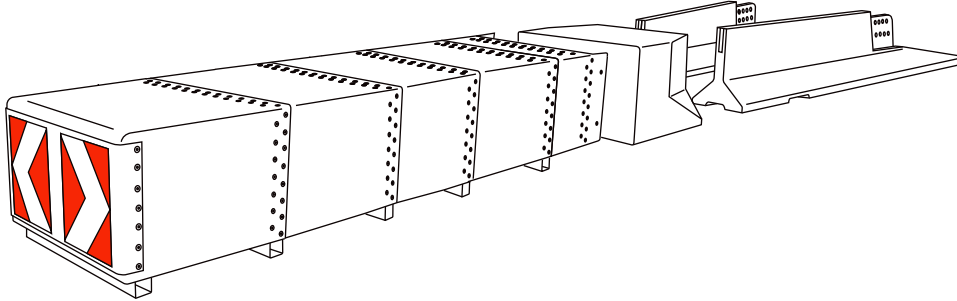


T 1000-80



Crash Test Results

TEST	ASI	PHD g	THIV km/h
TC 1.1.80	0,80	9,53	28,60
TC 1.2.80	0,68	8,56	29,92
TC 2.1.80	0,84	9,60	34,60
TC 3.2.80	0,60	7,52	28,99

Tested to EN 1317/3 - Non redirective crash cushion - Test level 80

